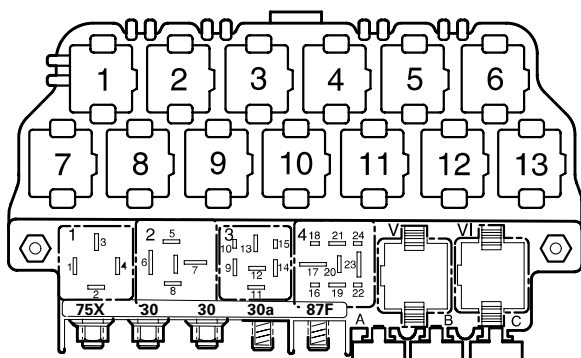


Comfort system, with anti-theft alarm system (vehicles with power windows)

from January 1998

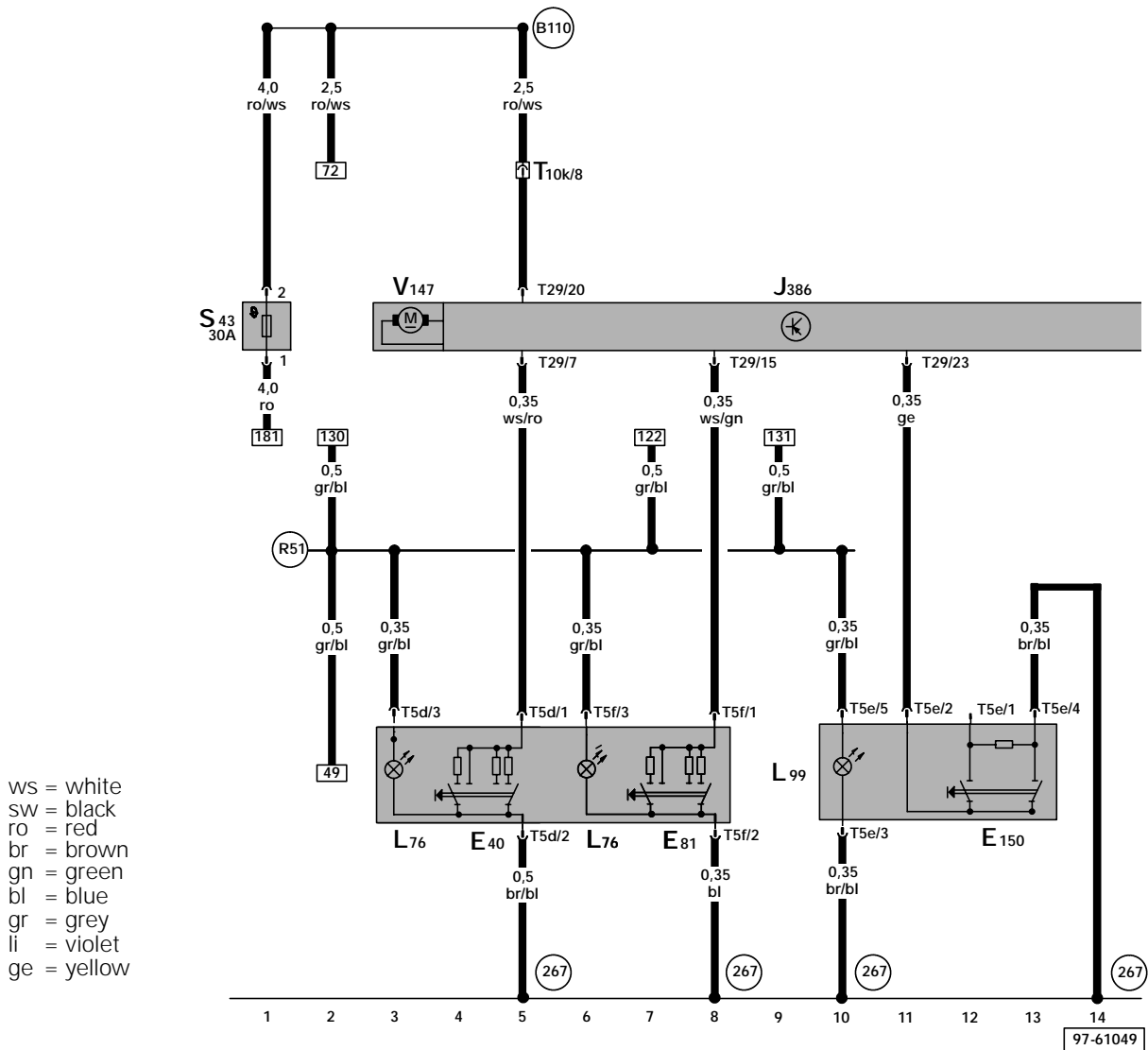
Deviate relay location and fuseplacements as well as the locations of multiple connectors see section "component locations".



97-21956

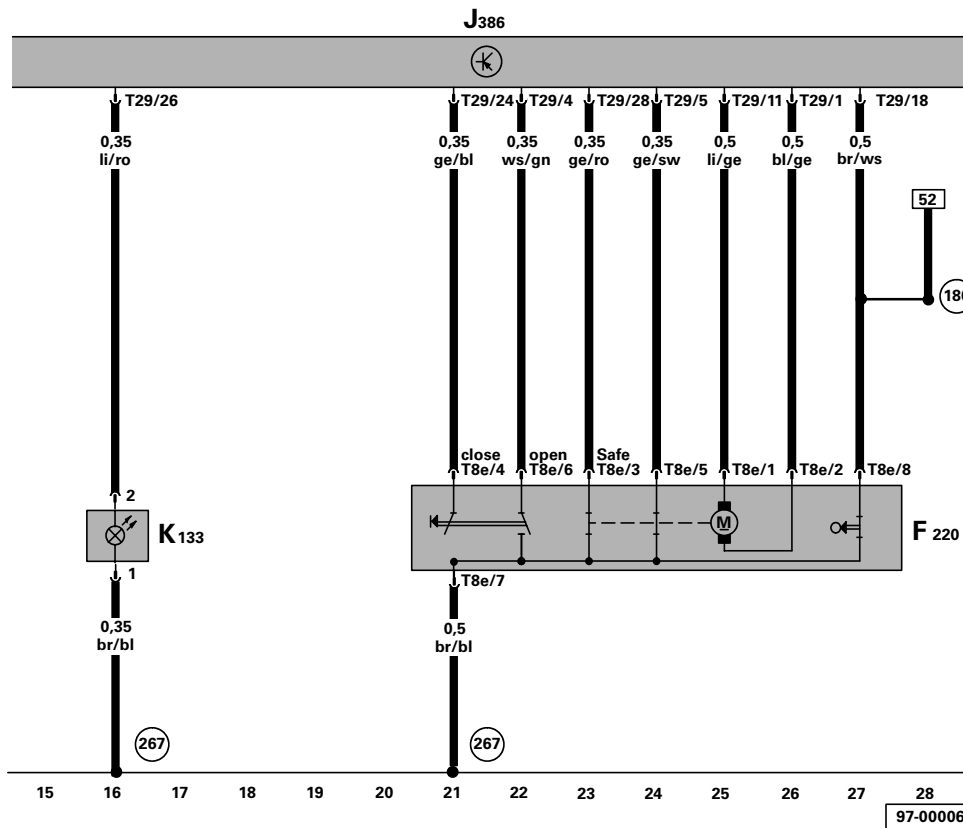
Fuse colors

30 A - green
25 A - white
20 A - yellow
15 A - blue
10 A - red
7,5 A - brown
5 A - beige



ws = white
 sw = black
 ro = red
 br = brown
 gn = green
 bl = blue
 gr = grey
 li = violet
 ge = yellow

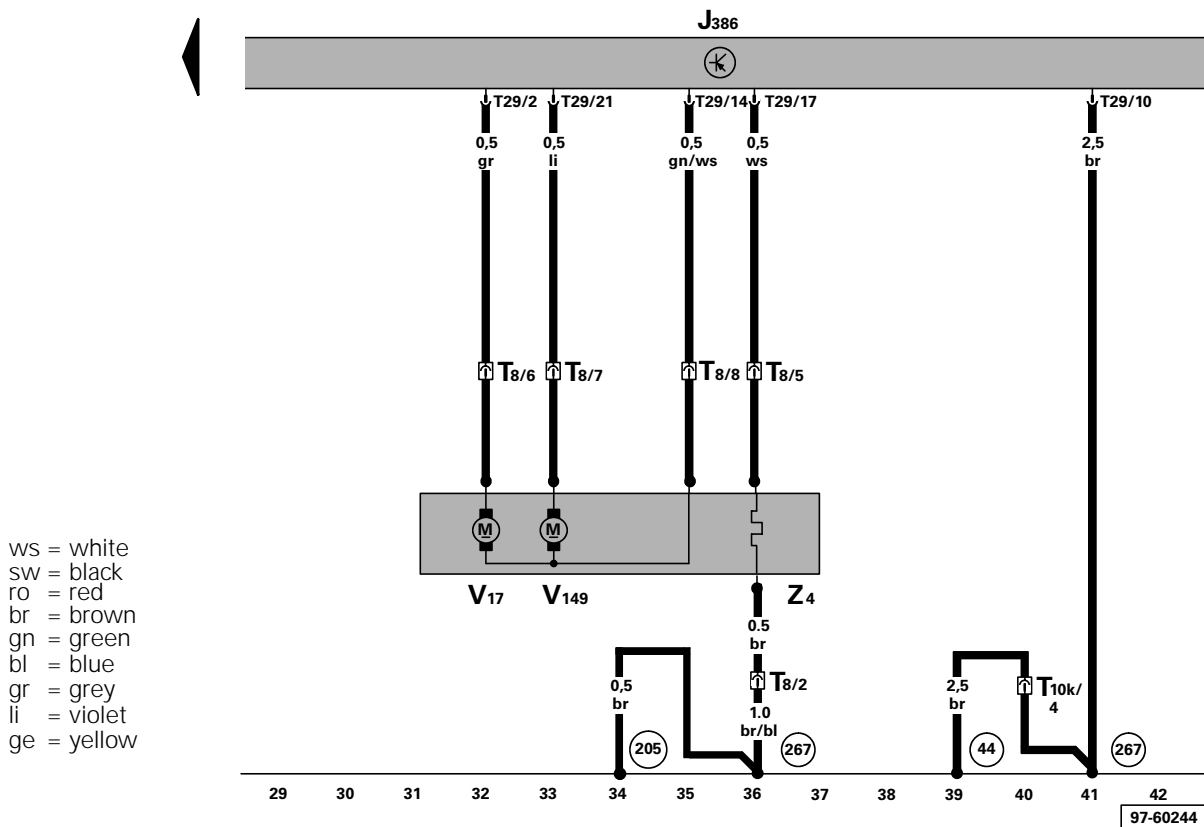
- E40 - Left Front Window Switch
- E81 - Switch for window regulator front right, driver
- E150 - Switch for interior lock, driver side
- J386 - Door control module, driver side
- L76 - Push Button Light
- L99 - Lighting for switch interior lock
- S43 - Power Window Circuit Breaker
- T5d - 5-Pin Connector, brown
- T5f - 5-Pin Connector, black
- T5e - 5-Pin Connector, black
- T10k - 10-Pin Connector, black, on A-Pillar left
- T29 - 29-Pin Connector, on Door control module
- V147 - Motor for window regulator, driver side
- (B110) - Connection (30, window regulator) in wiring harness interior
- (R51) - Connection (58b), in door wiring harness, driver's side
- (267) - Ground connector -2-, in wiring harness door cable



ws = white
 sw = black
 ro = red
 br = brown
 gn = green
 bl = blue
 gr = grey
 li = violet
 ge = yellow

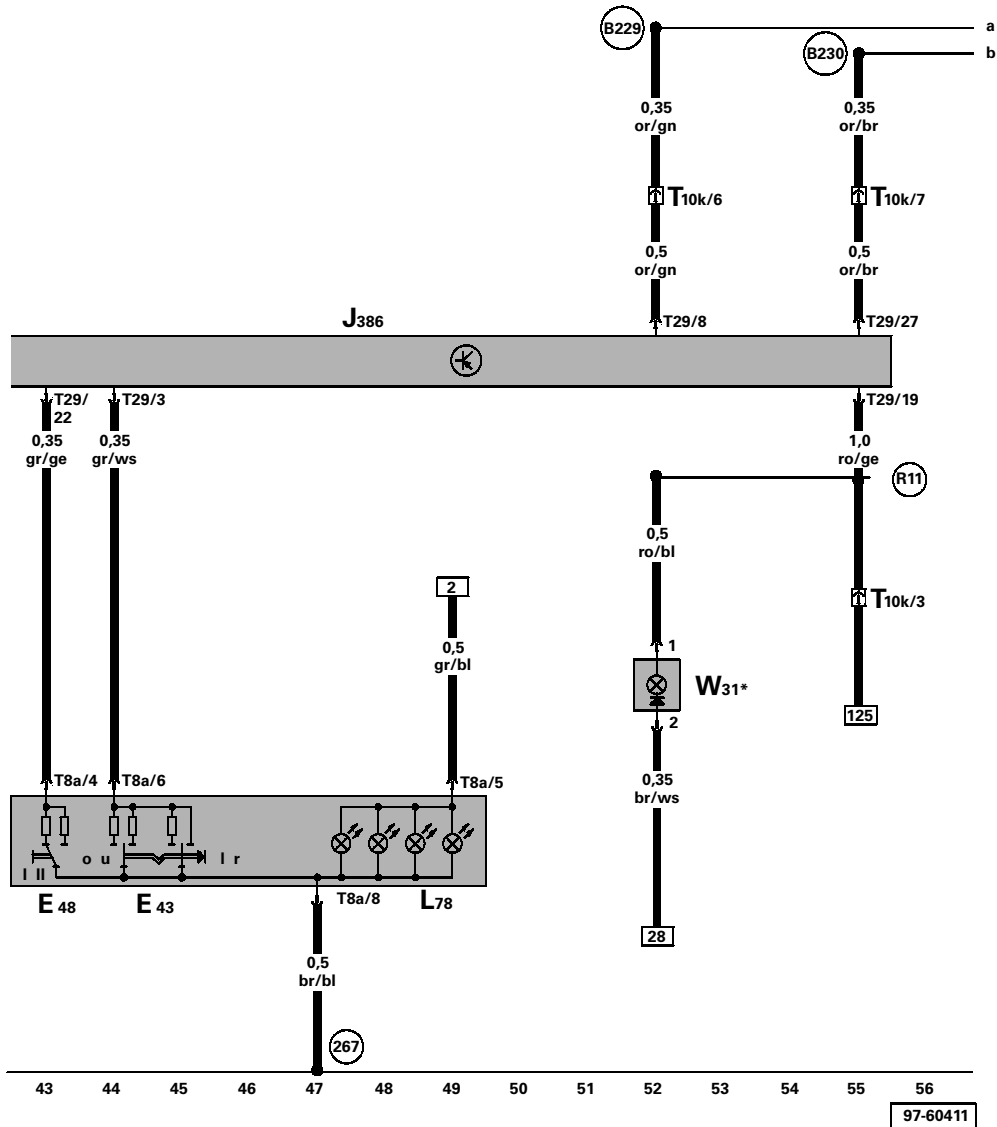
- F220 - Lock unit for central locking, driver side
- J386 - Door control module, driver side
- K133 - Warning light for central locking -SAFE-
- T8e - 8-Pin Connector, on Lock unit for central locking, driver side
- T29 - 29-Pin Connector, on Door control module

- (180) - Ground connection -2-, in central locking system wiring harness
- (267) - Ground connector -2-, in wiring harness door cable



- J386 - Door control module, driver side
- T8 - 8-Pin Connector, in driver's door wiring
- T10k - 10-Pin Connector, on A-Pillar left, black
- T29 - 29-Pin Connector, on Door control module - driver side
- V17 - Driver's Side Mirror Adjustment Motor
- V149 - Motor for mirror adjustment, driver side

- Z4 - Heated outside mirror, driver side
- 44 - Ground connection, on left A-pillar, lower part
- 205 - Ground connection, in driver's door wiring harness
- 267 - Ground connector -2-, in wiring harness door cable

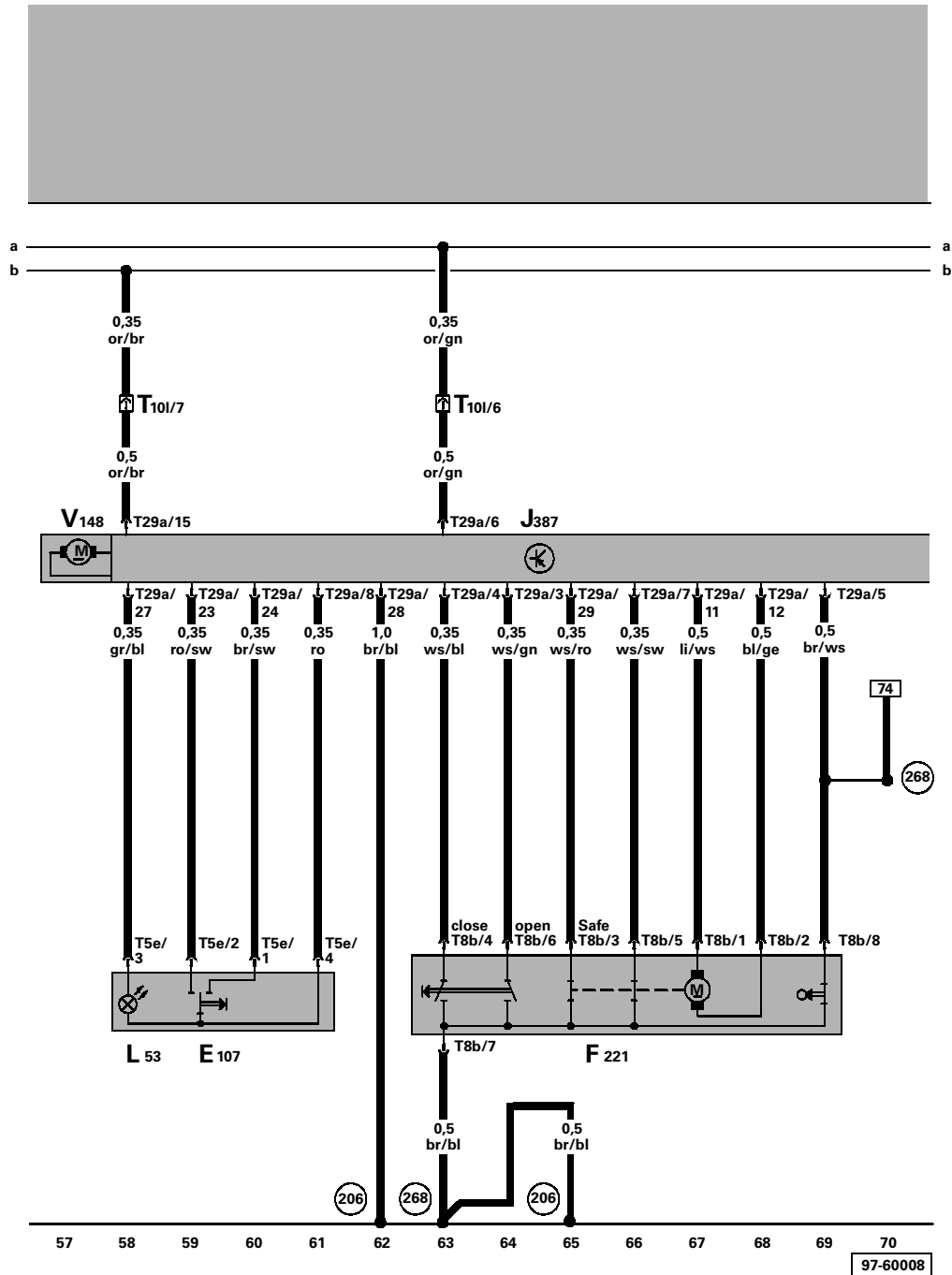


- E43 - Mirror Adjustment Switch
- E48 - Mirror Selector Switch
- J386 - Door control module, driver side
- L78 - Mirror Adjusting Switch Light
- T8 - 8-Pin Connector
- T10k - 10-Pin Connector, on A-Pillar left, black
- T29 - 29-Pin Connector, on Door control module

(R11) - plus connection -2- (30), in driver's door wiring harness

* - Where applicable

- (W3) - Entry light front, left
- (267) - Ground connector -2-, in wiring harness door cable
- (B229) - connection (High-Bus), in wiring harness, interior
- (B230) - connection (Low-Bus), in wiring harness, interior



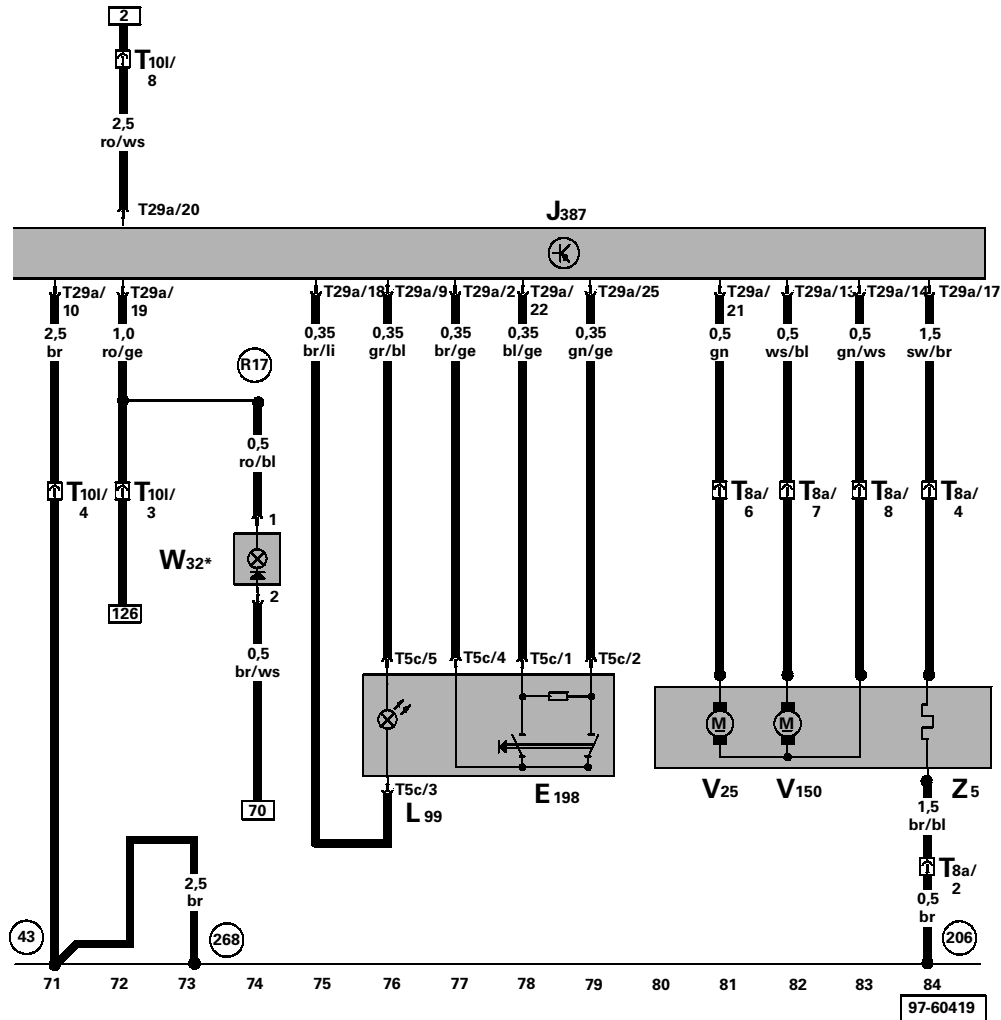
ws = white
 sw = black
 ro = red
 br = brown
 gn = green
 bl = blue
 gr = grey
 li = violet
 ge = yellow

- E107 - Switch for window regulator, in passenger door
- F221 - Lock unit for central locking, passenger side
- J387 - Door control module, passenger side
- T5e - 5-Pin Connector
- T8b - 8-Pin Connector
- T101 - 10-Pin Connector, black, on A-Pillar right
- T29a - 29-Pin Connector, on Door control module
- L53 - Power Window Switch Light
- V148 - Motor for window regulator, passenger side

- (206) - Ground connection, in passenger's door wiring harness
- (268) - Ground connector -2-, in wiring harness door cable - passenger side



a _____ a
b _____ b

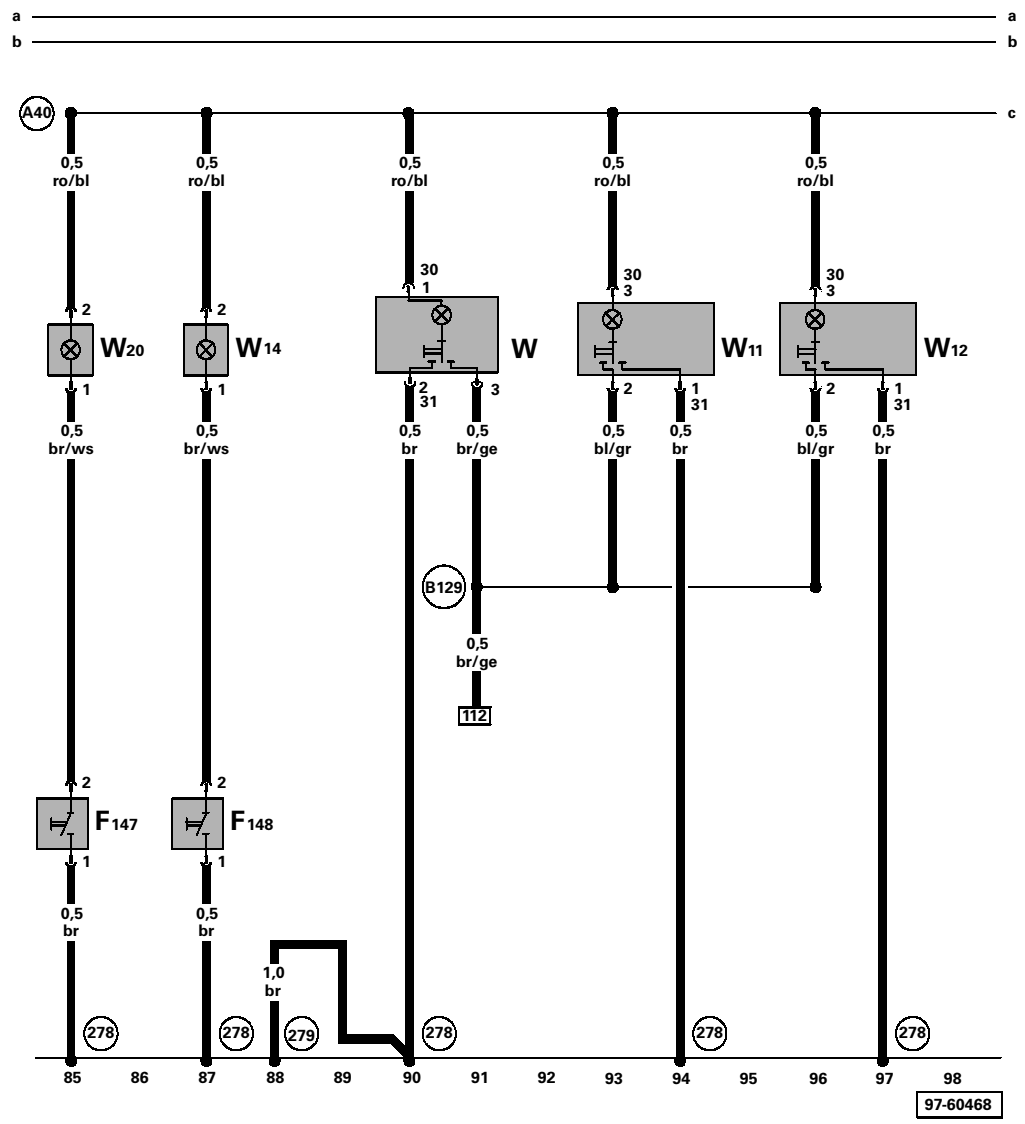


ws = white
sw = black
ro = red
br = brown
gn = green
bl = blue
gr = grey
li = violet
ge = yellow

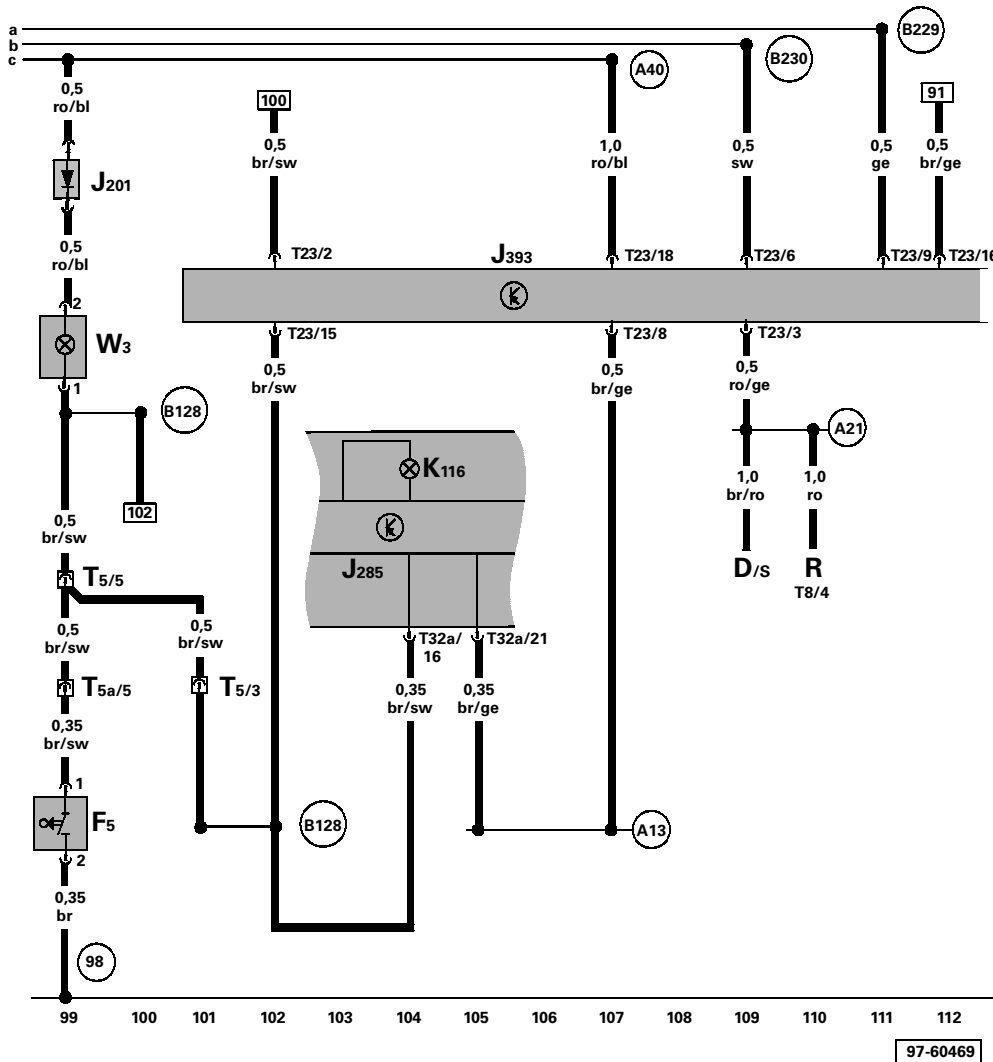
- E198 - Switch for interior lock, passenger side
- J387 - Door control module, passenger side
- L99 - Lighting for switch interior lock
- T5c - 5-Pin Connector, black
- T101 - 10-Pin Connector, black, on A-Pillar right
- T8a - 8-Pin Connector
- T29a - 29-Pin Connector, on Door control module
- V25 - Passenger's Side Mirror Adjustment Motor
- V150 - Motor for mirror adjustment, passenger side
- W32 - Entry light front, right

- Z5 - Heated outside mirror, passenger side
- (R17) - Plus connection -2- (30), in passenger's door wiring harness
- (43) - Ground connection, on right A-pillar, lower part

- (206) - Ground connection, in passenger's door wiring harness
- (268) - Ground connector -2-, in wiring harness door cable - passenger side
- * - Where applicable



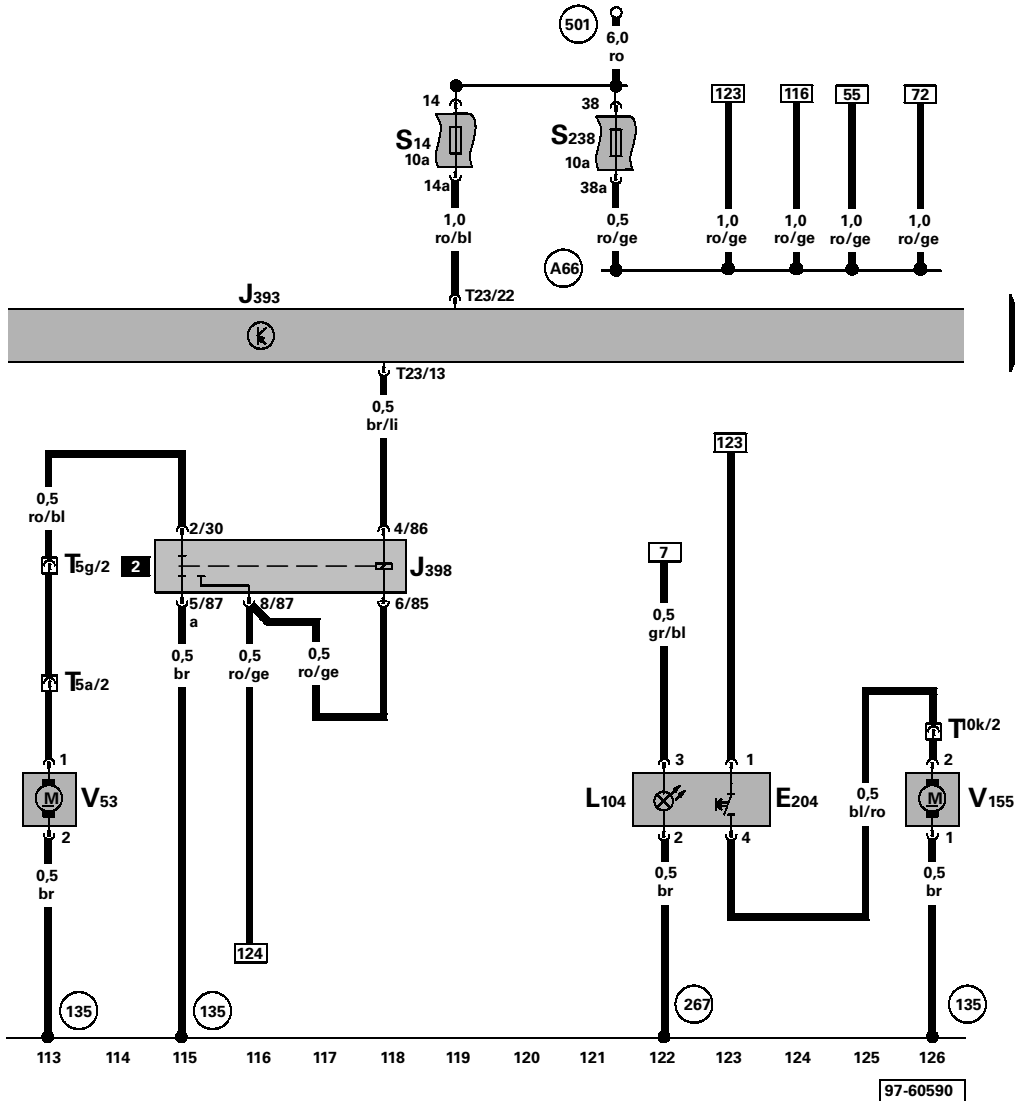
- F147 - Left Make-Up Mirror Light Switch
- F148 - Right Make-Up Mirror Light Switch
- W - Front Interior Light
- W11 - Left Rear Reading Light
- W12 - Right Rear Reading Light
- W14 - Right Make-up Mirror Light
- W20 - Left Make-up Mirror Light
- (278) - Ground connector -4-, in wiring harness interior
- (279) - Ground connector -5, in wiring harness interior
- (A40) - plus connection -1- (30), in instrument cluster wiring harness
- (B129) - Connector (interior light 3/L), in wiring harness interior



ws = white
 sw = black
 ro = red
 br = brown
 gn = green
 bl = blue
 gr = grey
 li = violet
 ge = yellow

- D - Ignition/Starter Switch
- F5 - Luggage Compartment Light Switch
- J201 - Protection Diode
- J285 - Control module with indicator unit in instrument panel insert
- J393 - Central control module for comfort system
- K116 - Warning light for rear lid unlocked
- R - Radio
- T5 - 5-Pin Connector, black, on C-pillar, left
- T5a - 5-Pin Connector, black, in rear lid
- T8 - 8-Pin Connector, on radio
- T23 - 23-Pin Connector, on Central control module for comfort system
- T32a - 32-Pin Connector, blue, on instrument cluster
- W3 - Luggage compartment Light

- (98) - Ground connection, in rear lid wiring harness
- (A13) - wire connection (door contact switch) in instrument panel wiring harness
- (A21) - wire connection (86s), in instrument panel wiring harness
- (A40) - plus connection -1- (30), in instrument panel wiring harness
- (B128) - Connector (Luggage compartment lamp) in wiring harness interior
- (B229) - High-bus Connection (in interior wiring harness)
- (B230) - Low-bus Connection (in interior wiring harness)

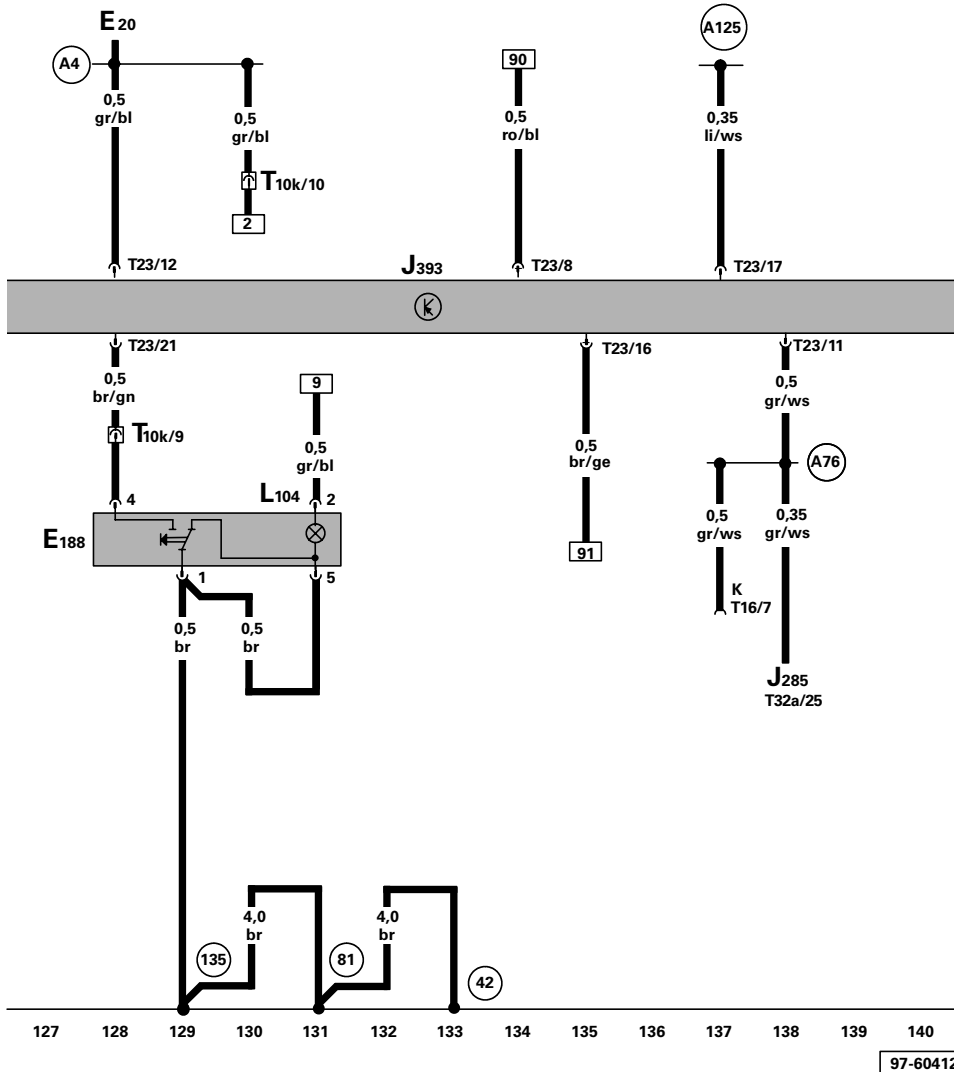


ws = white
 sw = black
 ro = red
 br = brown
 gn = green
 bl = blue
 gr = grey
 li = violet
 ge = yellow

- E204 - Switch for remote/fuel tank door
- J393 - Central control module for comfort system
- J398 - Relay for motor remote unlock rear lid
- L104 - Illumination for switch remote unlock
- S14 - Fuse in fuse holder
- S238 - Fuse in fuse holder
- T5a - 5-Pin Connector, black, in rear lid
- T5g - 5-Pin Connector, brown, in rear lid
- T10k - 10-Pin Connector, on A-Pillar left, black
- T23 - 23-Pin Connector, on Central control module for comfort system
- V53 - Decklid Central Locking System Motor
- V155 - Motor for fuel tank lid unlock

- (267) - Ground connector -2-, in wiring harness door cable - driver side
- (501) - Screw connection -2- (30), on relay panel
- (A66) - Connector (30a, central locking/anti-theft warning system/IR) in instrument panel wiring harness

- (135) - Ground connection -2-, in instrument panel wiring harness

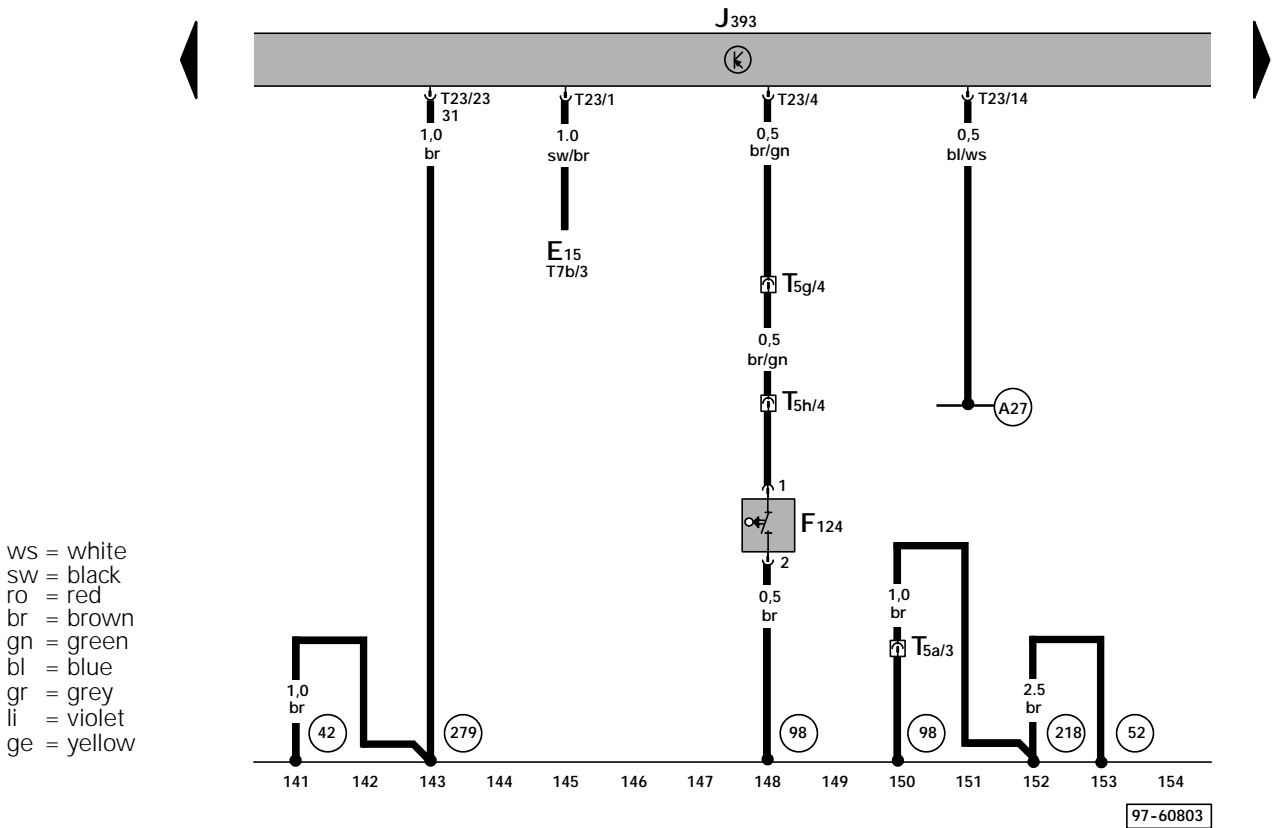


ws = white
 sw = black
 ro = red
 br = brown
 gn = green
 bl = blue
 gr = grey
 li = violet
 ge = yellow

- E20 - Instrument Panel Light Dimmer Switch
- E188 - Switch for remote unlock, rear lid
- J285 - Control module with indicator unit in instrument panel insert
- J393 - Central control module for comfort system
- L104 - Illumination for switch remote unlock
- T10k - 10-Pin Connector, on A-Pillar left, black
- T23 - 23-Pin Connector, on Central control module for comfort system
- T32a - 32-Pin Connector, blue, on instrument cluster

- (135) - Ground connection -2-, in instrument panel wiring harness
- (A4) - plus connection (58b) in instrument panel wiring harness
- (A76) - Connector (K-diagnosis wire) in instrument panel wiring harness
- (A125) - wire connection (crash), in instrument panel wiring harness

- (42) - Ground connection, beside steering column
- (81) - Ground connection -1-, in instrument panel wiring harness

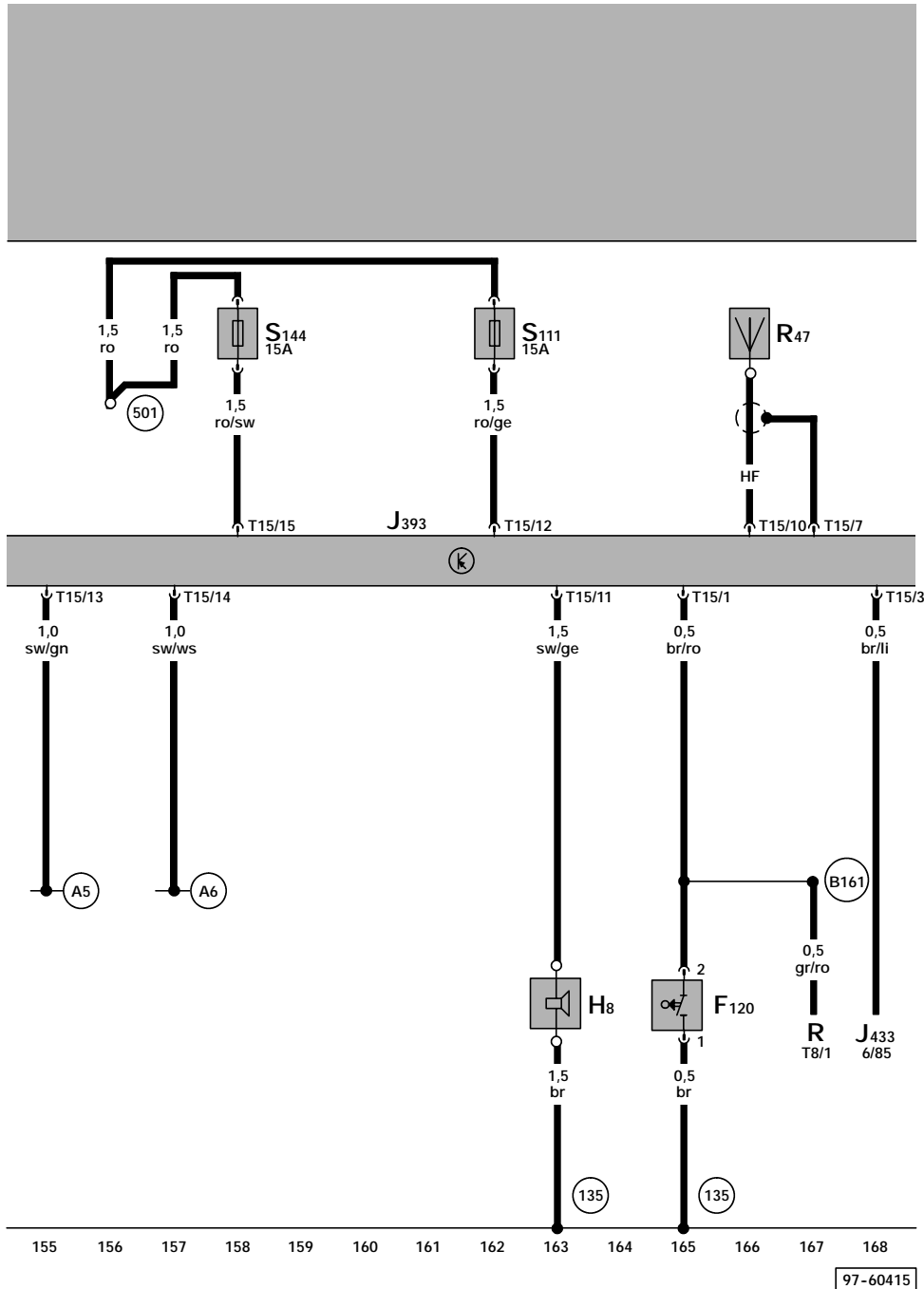


ws = white
 sw = black
 ro = red
 br = brown
 gn = green
 bl = blue
 gr = grey
 li = violet
 ge = yellow

- E15 - Rear window defogger switch
- F124 - Trunk Lock Alarm/Central Locking Switch
- J393 - Central control module for comfort system
- T5a 5-Pin Connector, black, in rear lid
- T5g 5-Pin Connector, brown, in rear lid
- T5h 5-Pin Connector, brown, in rear lid
- T7b 7-Pin Connector, on rear window defogger switch
- T23 23-Pin Connector, on Central control module for comfort system

- (98) - Ground connection, in rear lid wiring harness
- (218) - Ground connection -1-, in rear lid wiring harness
- (279) - Ground connector -5-, in wiring harness interior
- (A27) - wire Connection (vehicle speed signal), in instrument panel wiring harness

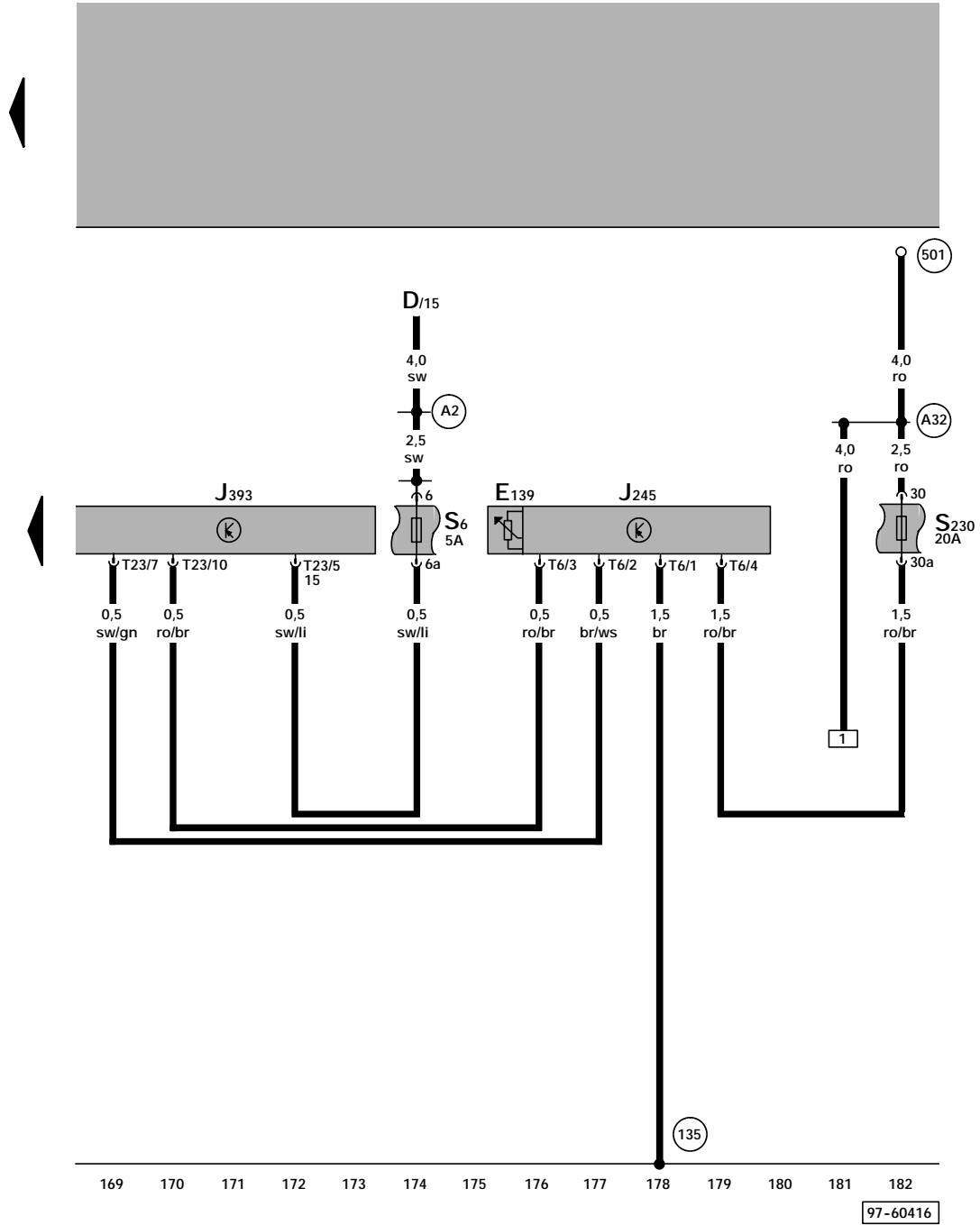
- (42) - Ground connection, beside steering column
- (52) - Ground connection, in rear lid, left



ws = white
 sw = black
 ro = red
 br = brown
 gn = green
 bl = blue
 gr = grey
 li = violet
 ge = yellow

- F120 - Hood Alarm Switch
- H8 - Alarm Horn
- J393 - Central control module for comfort system
- J433 - Locking relay for starter (clutch pedal switch)
- R - Radio
- R47 - Antenna wire for central locking and antitheft warning system
- S111 - Alarm System and Anti-Theft Engine Disable Fuse on thirteen position relay panel
- S144 - Fuse for central locking/anti-theft warning system on thirteen position relay panel
- T8 - 8-Pin Connector, on radio
- T15 - 15-Pin Connector, on Central control module for comfort system

- (135) - Ground connection -2-, in instrument panel wiring harness
- (501) - Threaded connection -1- (30) on the relay plate
- (A5) - plus connection (right turn signal), in instrument panel wiring harness
- (A6) - plus connection (left turn signal), in instrument panel wiring harness
- (B161) - connection (Alarm system), in wiring harness, interior



ws = white
 sw = black
 ro = red
 br = brown
 gn = green
 bl = blue
 gr = grey
 li = violet
 ge = yellow

169 170 171 172 173 174 175 176 177 178 179 180 181 182

97-60416

- D - Ignition/Starter Switch
- E139 - Sunroof Regulator
- J245 - Power Sunroof Control Module
- J393 - Central control module for comfort system
- S6 - Fuse 6 in fuse holder
- S230 - Fuse 30 in fuse holder
- T6 - 6-Pin Connector
- T23 - 23-Pin Connector

- (135) - Ground connection -2-, in instrument panel wiring harness
- (501) - Threaded connection -2- (30), on relay panel
- (A2) - plus connection (15), in instrument panel wiring harness
- (A32) - plus connection (30), in instrument panel wiring harness