



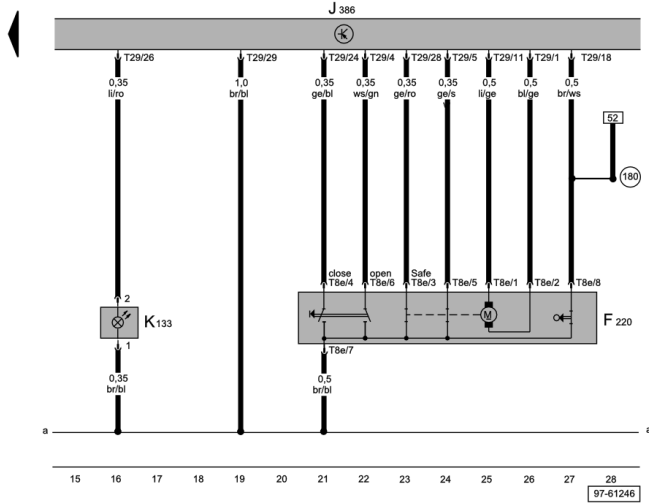
New Beetle

Wiring Diagram



**Door control module (driver side), lock unit for central locking (driver side)**

- F220 - Lock unit for central locking, driver side
- J386 - Door control module, driver side
- K133 - Warning light for central locking -SAFE-
- T8e - 8-Pin Connector, on Lock unit for central locking, driver side
- T29 - 29-Pin Connector, on Door control module
- 180 - Ground connection -2-, in central locking system wiring harness



New Beetle

Wiring Diagram



**Door control module (driver side), driver's side mirror adjustment motor, motor for mirror adjustment (driver side), heated outside mirror (driver side)**

J386 - Door control module, driver side

T8 - 8-Pin Connector, in driver's door wiring

T10k - 10-Pin Connector, on A-Pillar left, black

T29 - 29-Pin Connector, on Door control module - driver side

V17 - Driver's Side Mirror Adjustment Motor

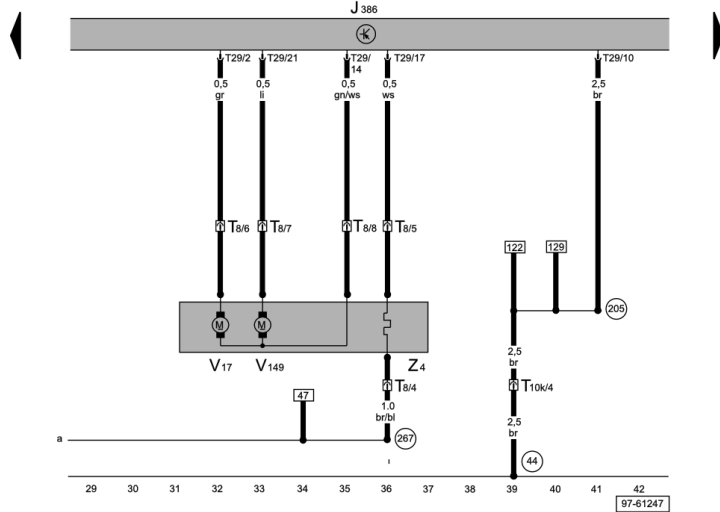
V149 - Motor for mirror adjustment, driver side

Z4 - Heated outside mirror, driver side

44 - Ground connection, on left A-pillar, lower part

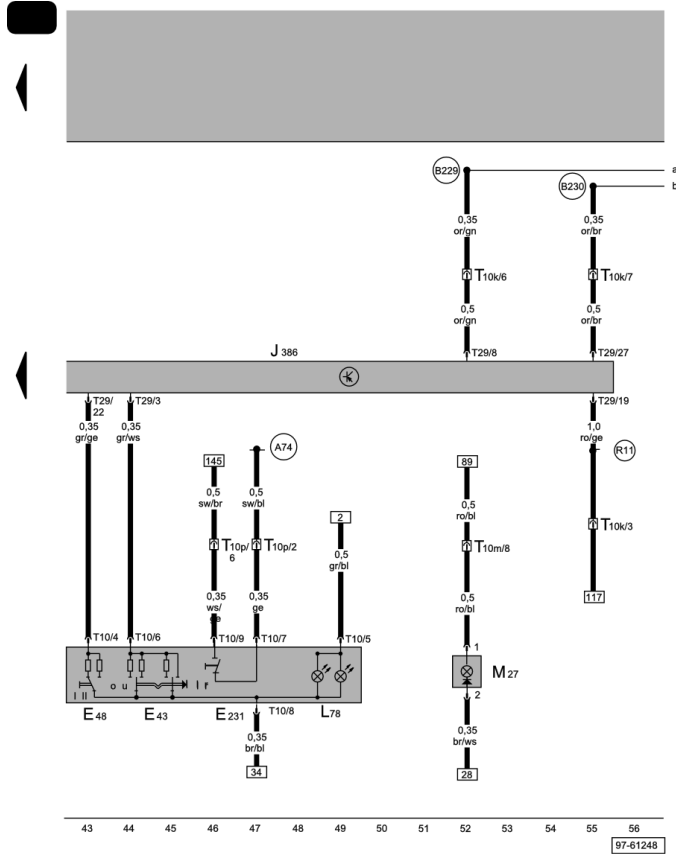
205 - Ground connection, in driver's door wiring harness

267 - Ground connector -2-, in wiring harness door cable



New Beetle

Wiring Diagram



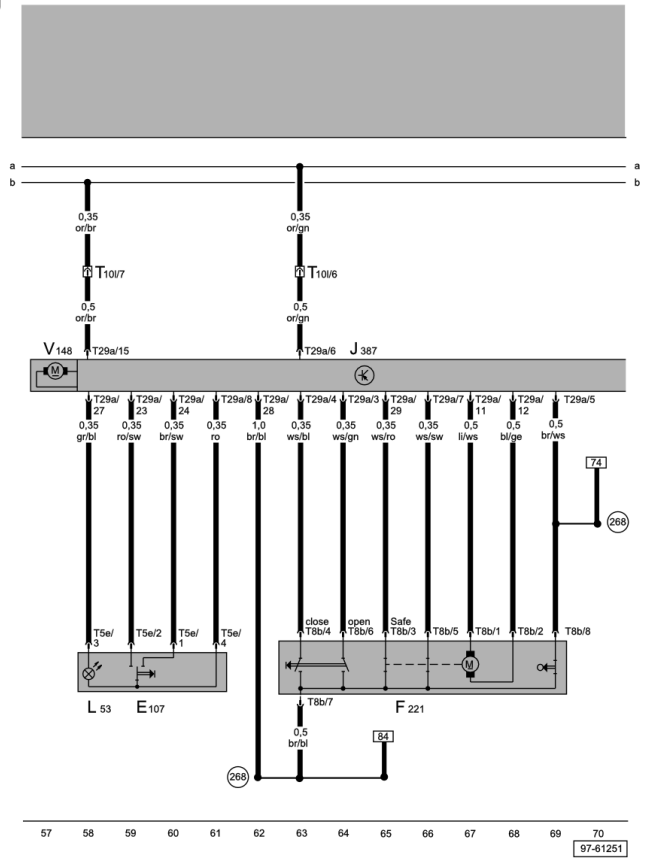
**Door control module (driver side)  
mirror adjustment switch, mirror  
selector switch, entry light front, left**

- E43 - Mirror Adjustment Switch
- E48 - Mirror Selector Switch
- E231 - Switch for outside mirror heating
- J386 - Door control module, driver side
- L78 - Mirror Adjusting Switch Light
- T10 - 10-Pin Connector
- T10k - 10-Pin Connector, on A-Pillar left, black
- T10m - 10-Pin Connector, on A-Pillar left, brown
- T10p - 10-Pin Connector, on A-Pillar left, blue
- T29 - 29-Pin Connector, on Door control module
- M27 - Left Door Warning Light
- A74 - Connector (15a - fuse 5) in instrument panel wiring harness
- connection (High-Bus), in wiring harness, interior
- B229 - connection (Low-Bus), in wiring harness, interior
- B230 - plus connection -2- (30), in driver's door wiring harness
- R11 - plus connection -2- (30), in driver's door wiring harness

- ws = white
- sw = black
- ro = red
- br = brown
- gn = green
- bl = blue
- gr = grey
- li = lilac
- ge = yellow
- or = orange
- rs = pink

New Beetle

Wiring Diagram



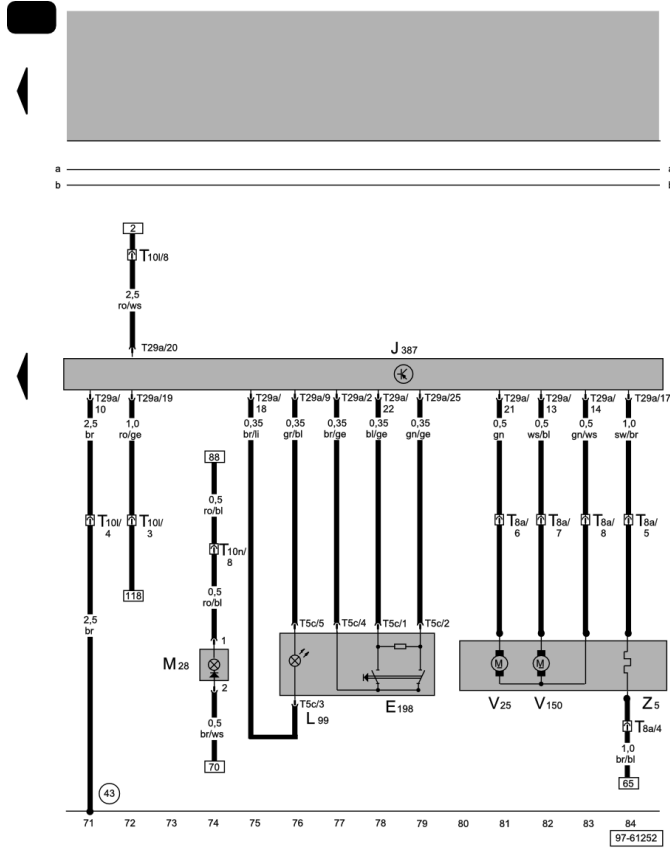
**Door control module (passenger side), lock unit for central locking (passenger side), switch for window regulator (passenger side)**

- E107 - Switch for window regulator, in passenger door
- F221 - Lock unit for central locking, passenger side
- J387 - **Door control module**, passenger side
- T5e - 5-Pin Connector
- T8b - 8-Pin Connector
- T10i - 10-Pin Connector, black, on A-Pillar right
- T29a - 29-Pin Connector, on **Door control module**
- L53 - Power Window Switch Light
- V148 - Motor for window regulator, passenger side
- 268 - Ground connector -2-, in wiring harness door cable - passenger side

ws = white  
 sw = black  
 ro = red  
 br = brown  
 gn = green  
 bl = blue  
 gr = grey  
 li = lilac  
 ge = yellow  
 or = orange  
 rs = pink

New Beetle

Wiring Diagram



**Door control module (passenger side), switch for interior lock (passenger side), passenger's side mirror adjustment motor, heated outside mirror**

- E198 - Switch for interior lock, passenger side
- J387 - Door control module, passenger side

- L99 - Lighting for switch interior lock
- T5c - 5-Pin Connector
- T10l - 10-Pin Connector, black, on A-Pillar right
- T10n - 10-Pin Connector, brown, on A-Pillar right

- T8a - 8-Pin Connector
- T29a - 29-Pin Connector, on Door control module
- V25 - Passenger's Side Mirror Adjustment Motor

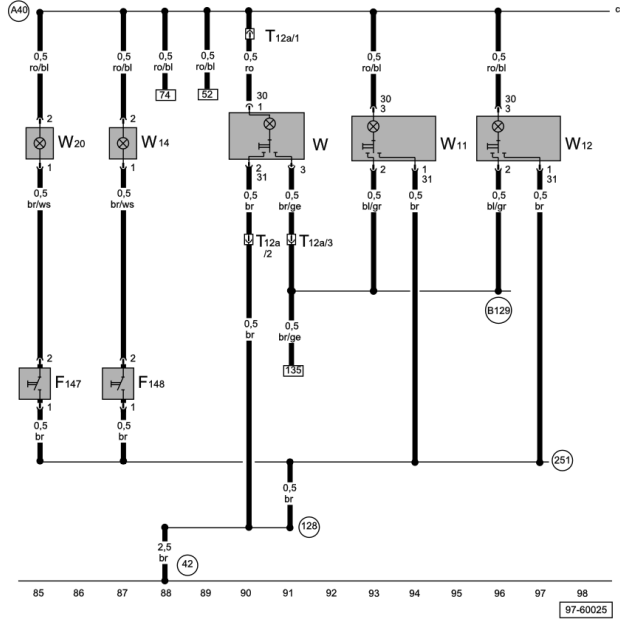
- V150 - Motor for mirror adjustment, passenger side

- M28 - Right Door Warning Light
- Z5 - Heated outside mirror, passenger side
- 43 - Ground connection, on right A-pillar, lower part

ws = white  
 sw = black  
 ro = red  
 br = brown  
 gn = green  
 bl = blue  
 gr = grey  
 li = lilac  
 ge = yellow  
 or = orange  
 rs = pink

New Beetle

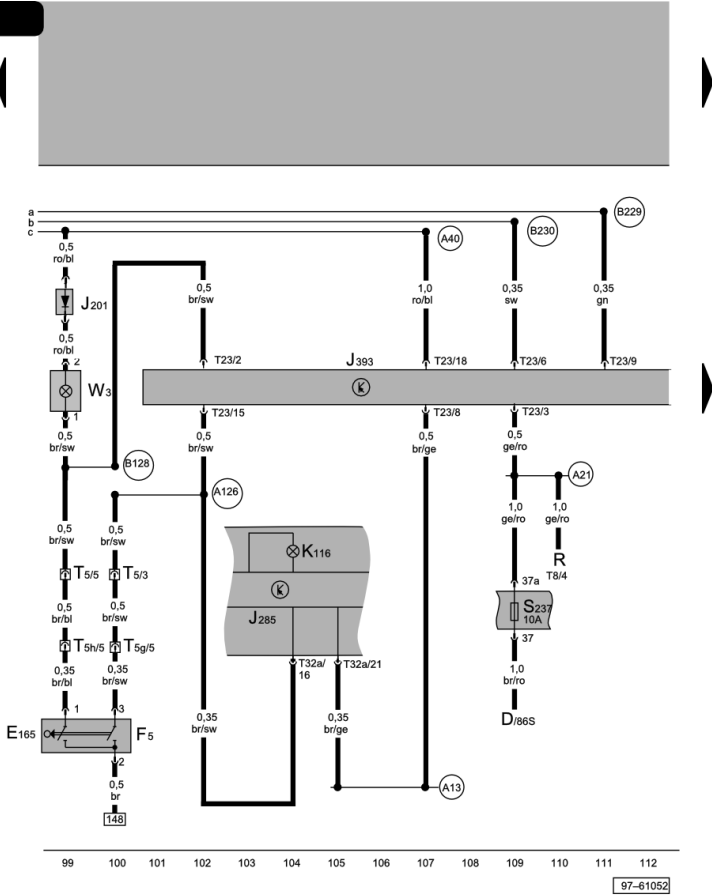
Wiring Diagram



**Front interior light, left rear reading light, right rear reading light, right make-up mirror light, left make-up mirror light**

- J393 - Central control module for comfort system
- F147 - Left Make-Up Mirror Light Switch
- F148 - Right Make-Up Mirror Light Switch
- W - Front Interior Light
- W11 - Left Rear Reading Light
- W12 - Right Rear Reading Light
- W14 - Right Make-up Mirror Light
- W20 - Left Make-up Mirror Light
- T12a - 12-Pin Connector
- T23 - 23-Pin Connector, on Central control module for comfort harness
- 42 - Ground connection, beside steering column
- 128 - Ground connection -1-, in interior light wiring harness
- 251 - Ground connection, in wiring harness reading lights
- A40 - plus connection -1- (30), in instrument cluster wiring harness
- B129 - Connector (interior light 3/L), in wiring harness interior

- ws = white
- sw = black
- ro = red
- br = brown
- gn = green
- bl = blue
- gr = grey
- li = lilac
- ge = yellow
- or = orange
- rs = pink

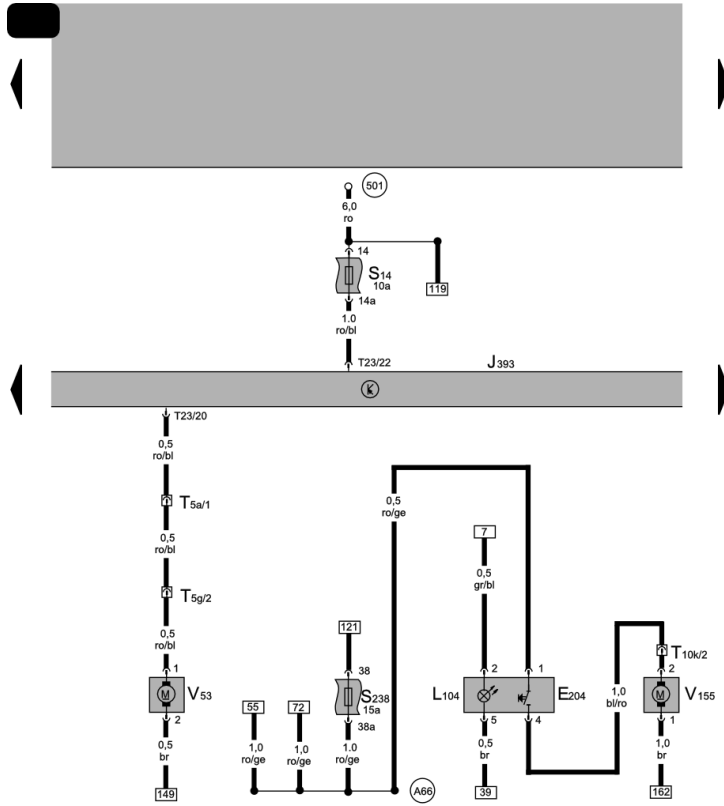


**Central control module for comfort system, luggage compartment light switch**

- D - Ignition/Starter Switch
  - E165 - Trunk Lid Release Switch
  - F5 - Luggage Compartment Light Switch
  - J201 - Protection Diode
  - J285 - Control module with indicator unit in instrument panel insert
  - J393 - Central control module for comfort system
  - K116 - Warning light for rear lid unlocked
  - R - Radio
  - S237 - Fuse in fuse holder
  - T5 - 5-Pin Connector, black, on C-pillar, left
  - T5g - 5-Pin Connector, black, in rear lid, left side, near lock cylinder carrier
  - T5h - 5-Pin Connector, brown, in rear lid, left side, near lock cylinder carrier
  - T8 - 8-Pin Connector, on radio
  - T32a - 32-Pin Connector, blue, on instrument cluster
  - W3 - Luggage compartment Light
- A13 - wire connection (door contact switch) in instrument panel wiring harness  
 A21 - wire connection (86s), in instrument panel wiring harness  
 A40 - plus connection 1- (30), in instrument panel wiring harness  
 - Connection (contact switch in rear lid), in instrument panel wiring harness  
 A126 - Connector (Luggage compartment lamp) in wiring harness interior  
 B128 - High-bus Connection (in interior wiring harness)  
 B229 - Low-bus Connection (in interior wiring harness)  
 B230

- ws = white
- sw = black
- ro = red
- br = brown
- gn = green
- bl = blue
- gr = grey
- li = lilac
- ge = yellow
- or = orange
- rs = pink





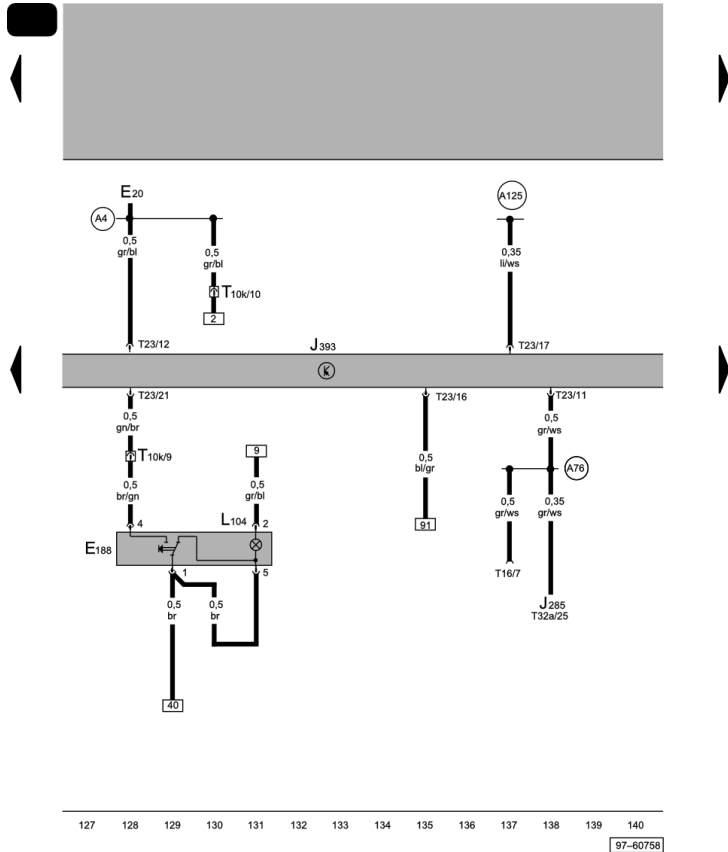
**Central control module for comfort system, relay for motor remote unlock, rear lid, switch for remote unlock, rear lid**

- E204 - Switch for remote/fuel tank door
- J393 - Central control module for comfort system
- L104 - Illumination for switch remote unlock
- S14 - Fuse in fuse holder
- S238 - Fuse in fuse holder
- T5a - 5-Pin Connector, brown, on C pillar, left
- T5g - 5-Pin Connector, black, in rear lid, left side, near lock cylinder carrier
- T10k - 10-Pin Connector, on A-Pillar left, black
- T23 - 23-Pin Connector, on Central control module for comfort system
- V53 - Rear Lid Central Locking System Motor
- V155 - Motor for fuel tank lid unlock
- 501 - Screw connection -2- (30), on relay panel
- A66 - Connector (30a, central locking/anti-theft warning system/IR) in instrument panel wiring harness

ws = white  
 sw = black  
 ro = red  
 br = brown  
 gn = green  
 bl = blue  
 gr = grey  
 li = lilac  
 ge = yellow  
 or = orange  
 rs = pink

New Beetle

Wiring Diagram



**Central control module for comfort system, switch for remote/fuel tank door, motor for fuel tank lid unlock**

- E20 - Instrument Panel Light Dimmer Switch
- E188 - Switch for remote unlock, rear lid
- J285 - Control module with indicator unit in instrument panel insert
- J393 - Central control module for comfort system
- L104 - Illumination for switch remote unlock
- T10k - 10-Pin Connector, on A-Pillar left, black
- T16 - 16-Pin Data Link Connector (DLC), below steering column, left
- T23 - 23-Pin Connector, on Central control module for comfort system
- T32a - 32-Pin Connector, blue, on instrument cluster
- A4 - plus connection (58b) in instrument panel wiring harness
- A76 - Connector (K-diagnosis wire) in instrument panel wiring harness
- A125 - wire connection (crash), in instrument panel wiring harness

- ws = white
- sw = black
- ro = red
- br = brown
- gn = green
- bl = blue
- gr = grey
- li = lilac
- ge = yellow
- or = orange
- rs = pink

New Beetle

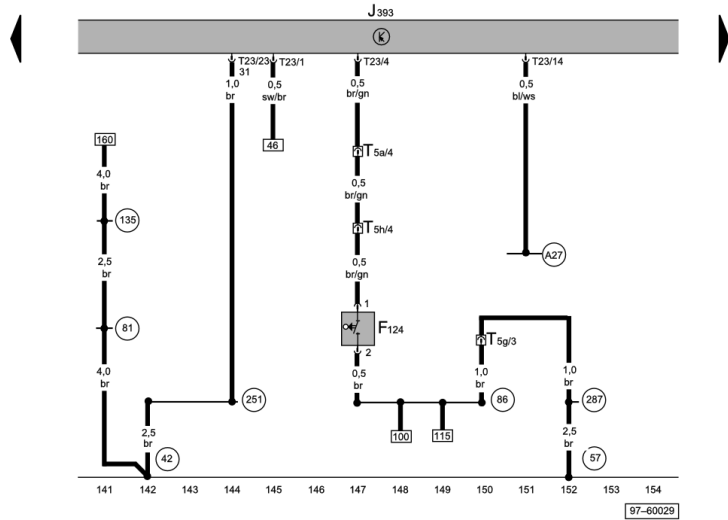
Wiring Diagram

No. 20 / 12



**Central control module for comfort system, decklid central locking servo motor, switch for central locking (trunk lid)**

- E15 -Rear window defogger switch
- F124 -Trunk Lock Alarm/Central Locking Switch
- J393 -Central control module for comfort system
- T5a -5-Pin Connector, brown, on C pillar, left
- T5g -5-Pin Connector, black, in rear lid, left side, near lock cylinder carrier
- T5h -5-Pin Connector, brown, in rear lid, left side, near lock cylinder carrier
- T6b -6-Pin Connector, on rear window defogger switch
- T10p -10-Pin Connector, on A-Pillar left, blue
- T23 -23-Pin Connector, on Central control module for comfort system
- 42 -Ground connection, beside steering column
- 57 -Ground connection, on left rear pillar
- 81 -Ground connection -1-, in instrument panel wiring harness
- 86 -Ground connection -1-, in rear wiring harness
- 135 -Ground connection -2-, in instrument panel wiring harness
- 251 -Ground connection, in wiring harness reading lights
- 287 -Ground connection, in wiring harness rear hatch hydraulics
- A27 -wire Connection (vehicle speed signal), in instrument panel wiring harness



ws = white  
 sw = black  
 ro = red  
 br = brown  
 gn = green  
 bl = blue  
 gr = grey  
 li = lilac  
 ge = yellow  
 or = orange  
 rs = pink